



Creating healthy spaces



Patio covers

Algarve® | Algarve® Roof | Camargue® |
Lagune® | Lapure®

Contents

Contents

5 types of patio covers	4
Camargue®	7
Algarve® / Algarve® Roof	15
Lagune®	21
Lapure®	27
Customisation possibilities	33
TOP 20 RAL	43
Fabric screens	44
Operating methods	47
Tests	48
Guarantee	50
Maintenance	51
FAQ and Tips	52
Overview	55



Your Outdoor in Style!

Regardless of the weather, we like to spend as much time outdoors as possible. The garden is no longer separate from the house, both form one whole. This makes us also yearn for more atmosphere, comfort and optimal joie de vivre while being outdoors. Being outside becomes living outside!

This is why RENSON® developed the Healthy Outdoor Concept®.

- The flow of fresh air and protection from the rain and wind provides physical comfort,
- The protection from the sun and wind keeps the space from getting too hot or too cold, thus guaranteeing ambient comfort,
- The front and sides can be closed off by means of moveable, transparent elements, thus providing comfort through visual contact with the surrounding area.

With many years of experience in sun protection screens and ventilation, RENSON® is lifting the outdoor space to a higher level. Through the proper application of techniques and innovative products, you can also enjoy your garden during the intermediate seasons.

5 types of patio covers

In order to meet the demand for more outside living, RENSON® uses its years of experience to develop enclosable, healthy and attractive outdoor space in which to enjoy the garden/area to the utmost. This outdoor space can be created using a patio cover.

There are five different types of patio covers in the Renson product range: the Algarve®, Algarve® Roof, Camargue®, Lagune® and Lapure®.



Camargue®

An innovative, modular patio cover with a bladed roof that can be closed off on the sides using the integrated windproof Fixscreens®, glass sliding walls, Loggia® sliding panels or a combination of these.



Algarve®

This simple, practical patio cover has a sun protection roof with rotating blades.



Algarve® Roof

This innovative roofing solution has a sun protection roof with rotating blades.



Lagune®

This RENSON® patio covering has windproof sun protection screens integrated into the roof structure. The roof can be opened up completely, with the sun protection screens disappearing into the basic structure. Moreover, it can be closed completely because the sun protection screen is watertight while still allowing light through. The sides can be closed off using the integrated windproof Fixscreens®, glass sliding walls, Loggia® sliding panels or a combination of these.



Lapure®

The stylish, minimalist Lapure® is a terrace covering with slim columns that offer protection from the sun and rain thanks to the sun-protecting, windproof and waterproof fabric. There is no disruptive lateral connection, which means that when the roof is open, there is an uninterrupted view.

Camargue®





Camargue®

Innovative and modular patio cover with horizontal sun protection roof with rotating blades

The Camargue® is an innovative, modular patio cover with a **bladed roof** that can be **closed off on the sides** using the integrated windproof Fixscreens®, glass sliding walls, Loggia® sliding panels or a combination of these.

The **roof** is made of extruded aluminium blades that can be rotated to control the **sun protection and ventilation** based on the users' needs. The blades can be easily operated using a Somfy® remote control. It is **water resistant** when closed. Via the **integrated water guide channels**, the water is carried off to the columns. This water removal also works when the blades are turned open after a rainfall so that the furniture on the patio stays protected.

By adding side elements you create **infinite possibilities for customisation**. **Wind-proof**, motorised Fixscreen® **sun protection screens** are available in 50 colours and can be fitted with Crystal Windows. **Glass sliding doors** can be integrated, as well as in combination with integrated Fixscreens®! **Loggia® sliding panels** offer another option. These can be provided with the same fabric as the screens, in Western Red Cedar or aluminium blades.

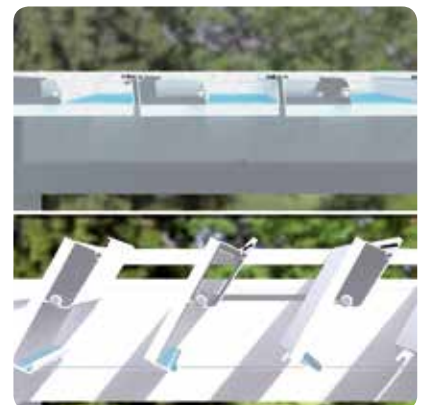
A great deal of attention is also given to the **quality of the finish**. For example, the fixation parts are **practically invisible**, all of the electrical cables can be hidden and invisible floor mounting is also possible.

The Camargue's® high-quality materials and design **keep maintenance to a minimum**, while simultaneously guaranteeing **exceptional sustainability**.

The Camargue® fits in with **any architectural style** thanks to its availability in all of the RAL colours and the various customisation options.



Efficient, integrated water drainage



Controlled water drainage when blades are open as well





Types of installation

There are two types of installations for the Camargue®: free-standing and façade mounting.



The frame of the Camargue® is supported by four vertical columns in the **type of installation 1, free-standing** version.

For **type of installation 2, fitted to an outside wall**, one side of the frame is placed against a supporting, load-bearing construction/structure and partially supported by vertical columns.

The blades can be positioned parallel or perpendicular to the supporting structure. There are two construction situations in which the frame is supported by two columns:

Construction situation 1: Wall // Span-side: Blades are parallel to the supporting structure.
Two columns standard

Construction situation 2: Wall // Pivot-side: Blades are perpendicular to the supporting structure.
Two columns standard

Dimensions

The Camargue® base consists of an aluminium construction with a horizontal sun protection roof fitted with a system of patented, rotating, extruded aluminium blades, which are supported by 4 or 2 vertical columns, depending on the type of installation and the construction situation.

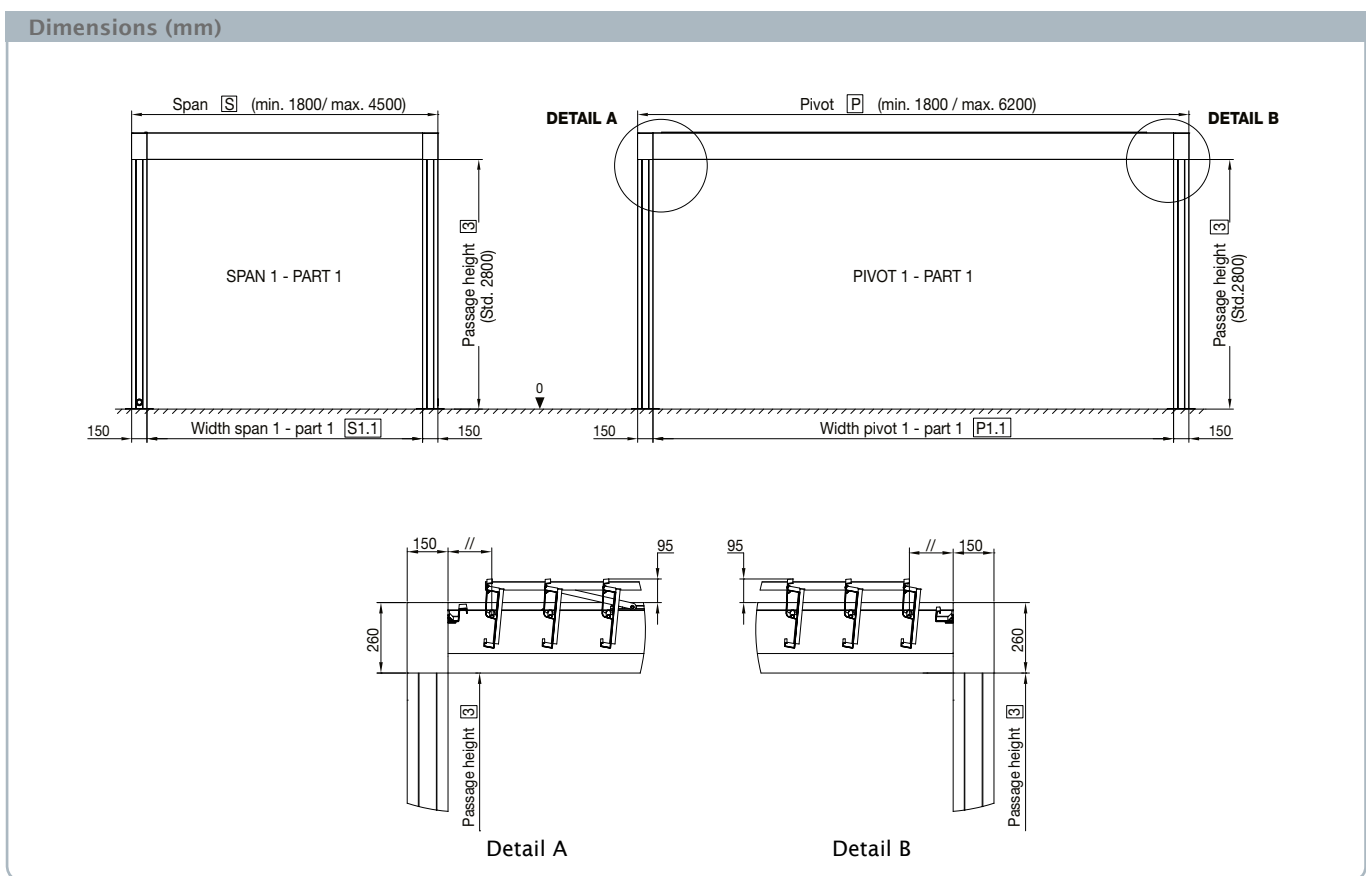
The following dimensions are important when ordering a Camargue®:

Span	S = Max. 4,000 mm
Pivot	P = Max. 6,200 mm
Passage height	3 = Max. 2,800 mm
Total height	4 = Std. 3,060 mm (max. 3,760 mm)

The total height corresponds with the passage height + the height of the frame (260 mm).

During the planning phase, the following are taken into account:

- When rotating, the blades come to 95 mm above the total height (detail A & B).



Extendible!

The Camargue® can be extended using one of the larger Spans or Pivots to cover larger areas. In this case, a coupling side beam is used.



*2-part joinable
on the Span side*



*2-part joinable
on the Pivot side*



*Multiple parts joinable
on the Pivot and/or Span side*

Frame

The roof construction has a strong frame that goes all the way around and is built using four extruded aluminium frame profiles. There are two types of frame profiles: Span frame profile and Pivot frame profile.

Span: These frame profiles are on the Span side of the patio cover and are parallel to the blades.

There is an integrated gutter along one of the Span sides in the Span frame profile which redirects the water from the gutters to the Pivot side.

At the same time, the frame creates a box for the integrated sun protection fabric.

Pivot: These frame profiles are on the pivot side of the patio cover and are perpendicular to the blades.

The frame profile is installed with bearings in which the axes of the blades turn.

The Pivot frame profile is always fitted with a gutter and a unique waterdiffusor (to minimize splashing water).

At the same time, the frame creates a box for the integrated sun protection fabric.

Blade

The bottom of the rotating blade is completely flat so that the bladed roof has a lovely, smooth surface underneath when closed. The top surface has precisely aligned edges and is fitted with a gutter for water drainage. An extra lip on the gutter ensures that the water does not spill over onto the blades when the blade rotates after it rains. The sides of the blade have an aluminium nose to prevent water from running back.

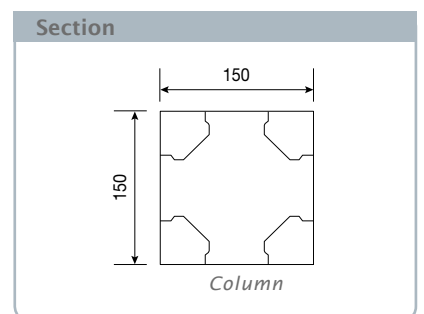


Column

Depending on the installation situation, the frame is supported in the corners by either 4 or 2 vertical columns.

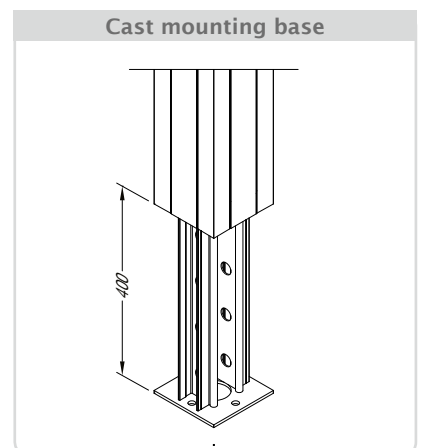
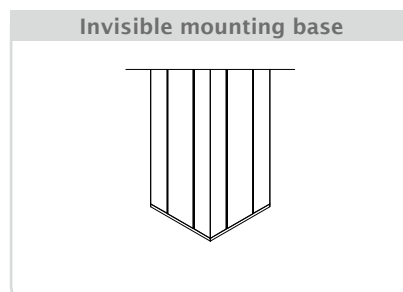
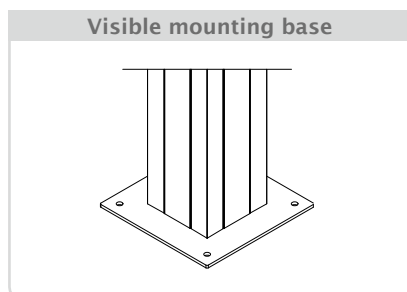
The column consists of an aluminium profile with basic dimensions of W150 x D150 mm.

The shape of the column allows the side guides of the integrated Fixscreen® Front and Side to be integrated in an aesthetic manner. The column also forms the foundation for the integrated water drainage and the fixation of the mounting bases. The column fits seamlessly into the front beam and is also visible in the extension of the side channels.



Mounting bases

There are three types of mounting bases: visible, invisible and cast mounting base.



Fixation

All fixing elements (e.g. screws) are made of stainless steel and are practically invisible.

Algarve®





Sun protection



Ventilating



Water resistant

Algarve®

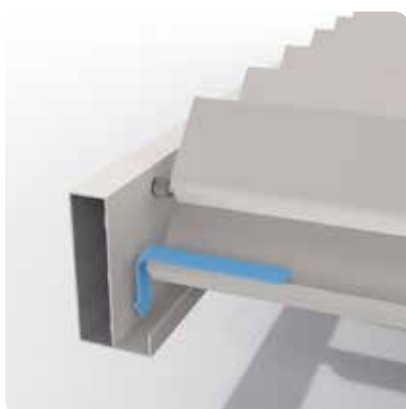
Patio cover with horizontal sun protection roof with rotating blades

This simple, practical patio cover has a sun protection roof with rotating blades.

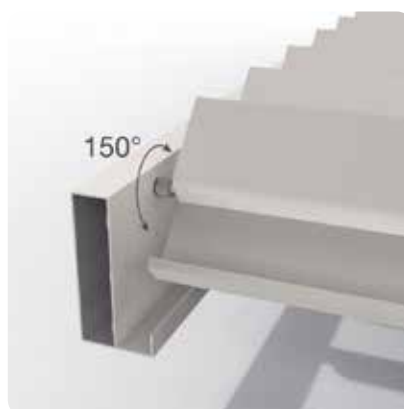
The extruded aluminium blades can be rotated up to 150°, thus providing the possibility to determine for yourself how much sun protection and/or ventilation you desire.

The blades form a water-resistant roof when closed. The rain water is carried to the columns via a drainage gutter.

The Algarve® fits in with any architectural style thanks to its elegant, light design and availability in all of the RAL colours: contemporary, traditional or modern.



Drainage gutter



150° rotation

Algarve® Roof





Sun protection



Ventilating



Water resistant

Algarve® Roof

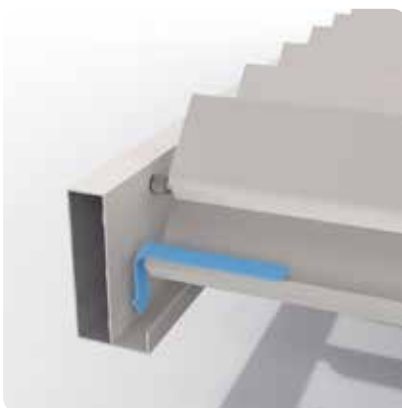
Horizontal sun protection roof with adjustable blades can be integrated into existing constructions

This simple roof structure, without columns but with rotating blades, creates a sun protection roof.

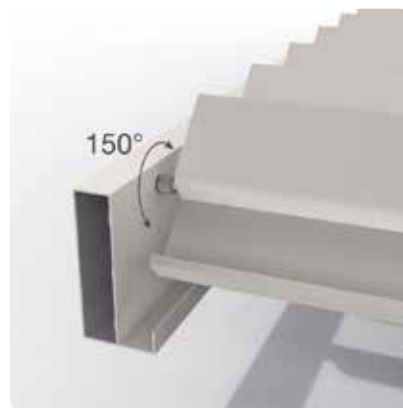
The extruded aluminium blades can be rotated up to 150°, thus providing the possibility to determine for yourself how much sun protection and/or ventilation you desire.

The blades form a water-resistant roof when closed.
The rain water is carried to the corners via a drainage gutter.

The Algarve® Roof fits in with any architectural style thanks to its elegant, light design and availability in all of the RAL colours: contemporary, traditional or modern.



Drainage gutter



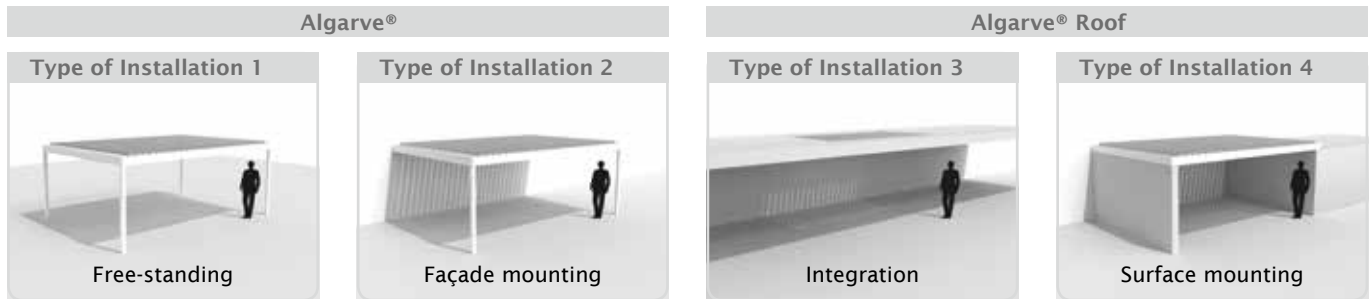
150° rotation

Algarve® / Algarve® Roof



Types of installation

There are 4 possible types of installation for installing the Algarve®/Algarve® Roof: free-standing, façade mounting, integration and surface mounting.



The frame of the Algarve® is supported by four columns in the **type of installation 1** version.

For **type of installation 2**, one side/two sides of the frame is/are placed against a supporting, load-bearing construction/structure and partially supported by columns.

The blades can be positioned parallel or perpendicular to the supporting structure.

There are three construction situations in which the frame is supported by one or two columns:

Installed with one side against the supporting, load-bearing construction/structure:

Construction situation 1: Wall // Span-side: Blades are parallel to the supporting structure
Two columns standard

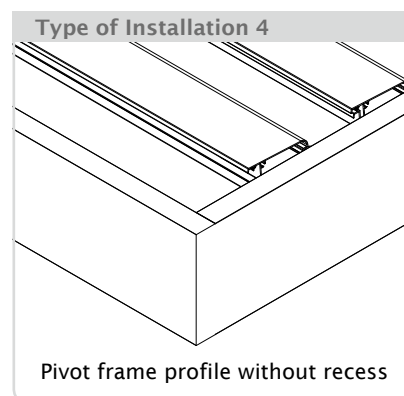
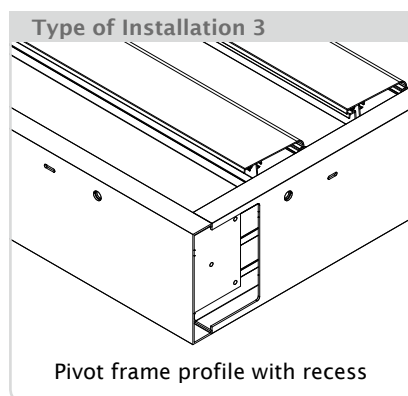
Construction situation 2: Wall // Pivot-side: Blades are perpendicular to the supporting structure
Two columns standard

Installed with two sides against the supporting, load-bearing construction/structure:

Construction situation 3: wall // Span-side and wall // Pivot-side One column standard

For **type of installation 3**, the frame is integrated into an existing opening, in which the frame is laterally installed in the opening. The Pivot frame profiles have a recess so that it can be mounted in the opening.

In **type of installation 4**, the frame is installed on an existing construction. The mounting holes for this must be made by the contractor. There are no recesses in the Pivot frame profiles for this type of installation.



Dimensions

The Algarve®/Algarve® Roof consists of an aluminium construction with a horizontal sun protection roof fitted with a system of patented, rotating, extruded aluminium blades, which are supported by 4, 2, 1 or 0 vertical columns, depending on the type of installation and the construction situation.

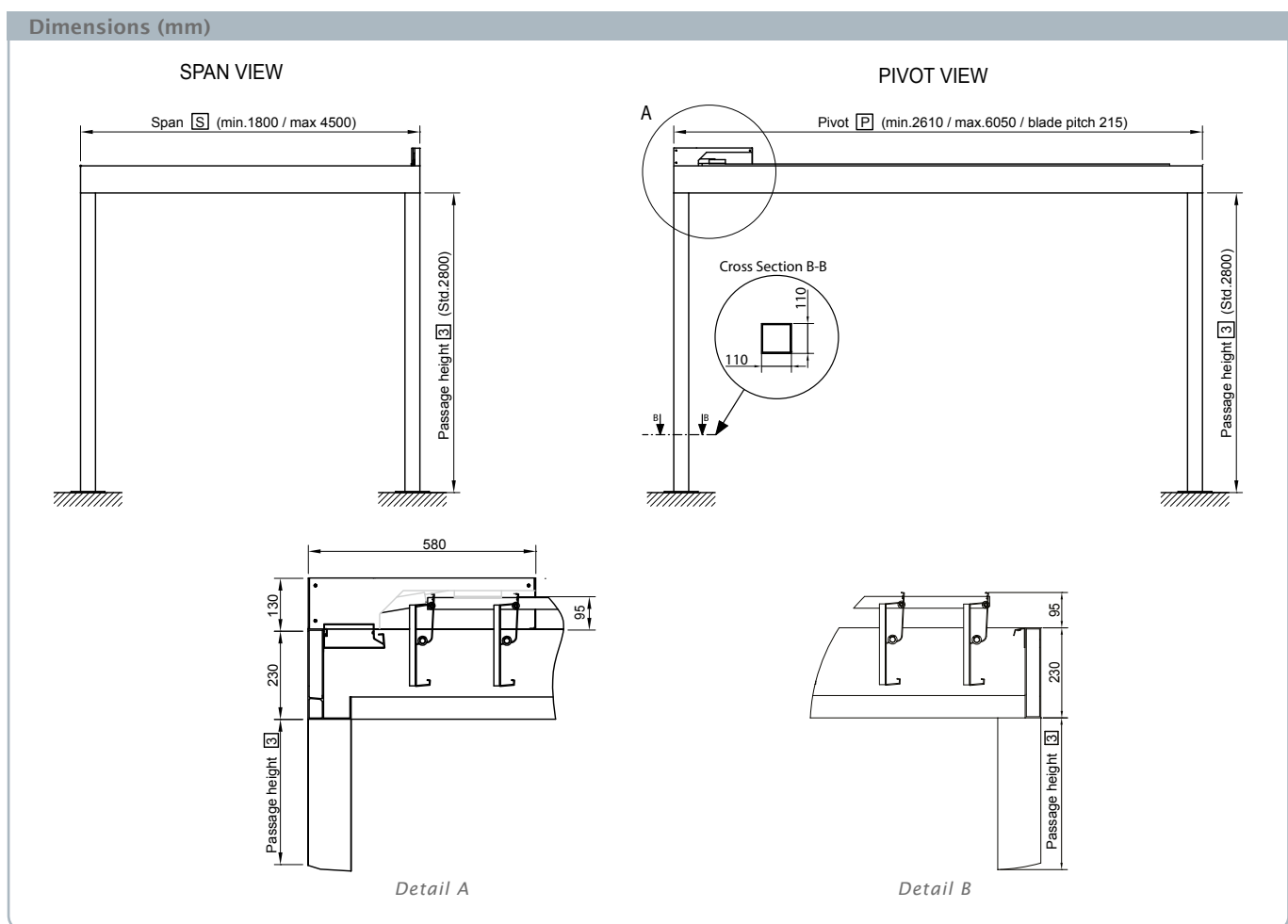
The following dimensions are important when ordering an Algarve®:

Span	S = Max. 4,500 mm
Pivot	P = Max. 6,050 mm (per blade pitch: 215 mm)
Passage height	3 = Max. 2,800 mm
Total height	4 = Std. 3,030 mm (max. 3,730 mm)

The total height corresponds with the passage height + the height of the frame (230 mm).

During the planning phase, the following are taken into account:

- When rotating, the blades come to 95 mm above the total height (detail B).
- The aluminium housing motor comes to 130 mm above the total height (detail A).

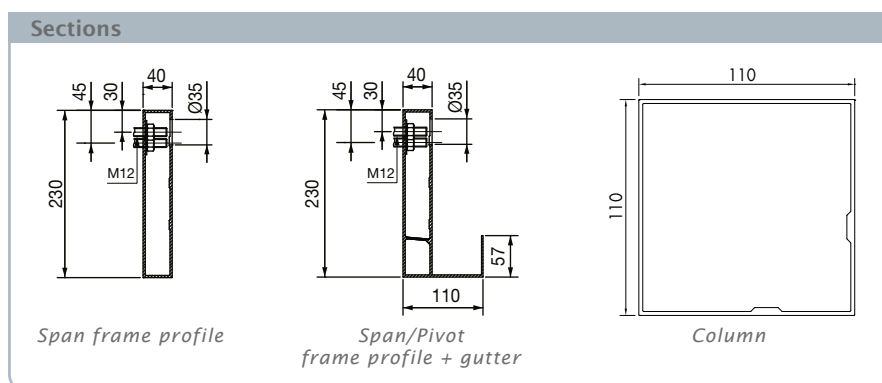


Extendible!

The Algarve® is joinable in two parts (on the Span side) so that areas of exceptional dimensions of 6 x 6.05 m can be covered without middle columns disrupting the view.



2-part joinable
on the Span side



Frame

The roof construction has a strong frame that goes all the way around. The design is minimalist and even. The frame is not angled. It is constructed of four extruded aluminium frame profiles.

There are two types of frame profiles: Span frame profile and Pivot frame profile.

Span: These frame profiles are on the Span side of the patio cover and are even with the blades.

The Span frame profile can be fitted with a gutter, depending on the installation type and construction situation.

Pivot: These frame profiles are on the pivot side of the patio cover and are perpendicular to the blades.

The frame profile is installed with bearings in which the axes of the blades turn.

The Pivot frame profile is always fitted with a gutter and a waterdiffusor (to minimize splashing water).

Blade

The bottom of the rotating blade is completely flat so that the bladed roof has a lovely, smooth surface underneath when closed. The top surface has precisely aligned edges and is fitted with a gutter for water drainage. An extra lip on the gutter ensures that the water does not spill over onto the blades when the blade rotates after it rains. The sides of the blade have an aluminium nose to prevent water from running back.

Finishing profile

A finishing profile with cover is mounted on the motor side of the Algarve® against the Span frame profile. The profile ensures a proper connection with the blade. The control box and transformer can be hidden inside the profile.

Column

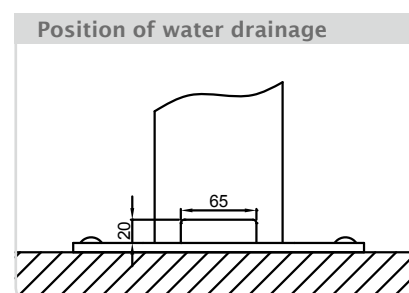
Depending on the installation situation, the frame is supported in the corners by vertical columns. The column consists of a single, square aluminium profile with the basic dimensions of 110 x 110 mm. The column forms the foundation for the water drainage and the fixation of the mounting bases. An aluminium bracket is mounted at the top of the column for fixing it to the frame. Visually, the column is beneath the frame.

Mounting base

The Algarve® is fixed to the ground using a visible mounting base. This is done by fixing a visible, 6 mm-thick base plate using four anchors. These mounting anchors are not supplied with the product and must be provided by the client, as the type of anchor is dependent upon the ground.

Fixation

All fixing elements (e.g. screws) are made of stainless steel and are practically invisible.



Lagune®





Integrated water drainage



Integrated water drainage

Lagune®

Patio cover with innovative, transparent fabric in the roof structure

This patio cover consists of an **aluminium structure** with **integrated Fixscreen® technology**. The sun protection is completely integrated into the structure, creating an aesthetic unit. Thanks to the **modular structure**, the entire unit is easy to expand, even afterwards.

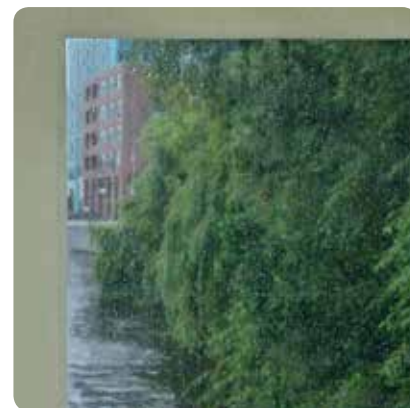
The **Fixscreen® technology** combined with **optimum screen tension** ensures that rain water is drained via the guiding channels hidden within the structure. Even if the sun protection screen is not fully unrolled, the water that falls on it is drained away via this **integrated water-drainage system**.

A great deal of attention is also given to the **quality of the finish**.

For example, the fixation parts are **practically invisible**, all of the electrical cables can be hidden and invisible floor mounting is also possible.

The Lagune's® high-quality materials and design **keep maintenance to a minimum**, while simultaneously guaranteeing **exceptional sustainability**.

The Lagune® fits in with **any architectural style** thanks to its availability in all of the RAL colours and the various customisation options.



Crystal screen



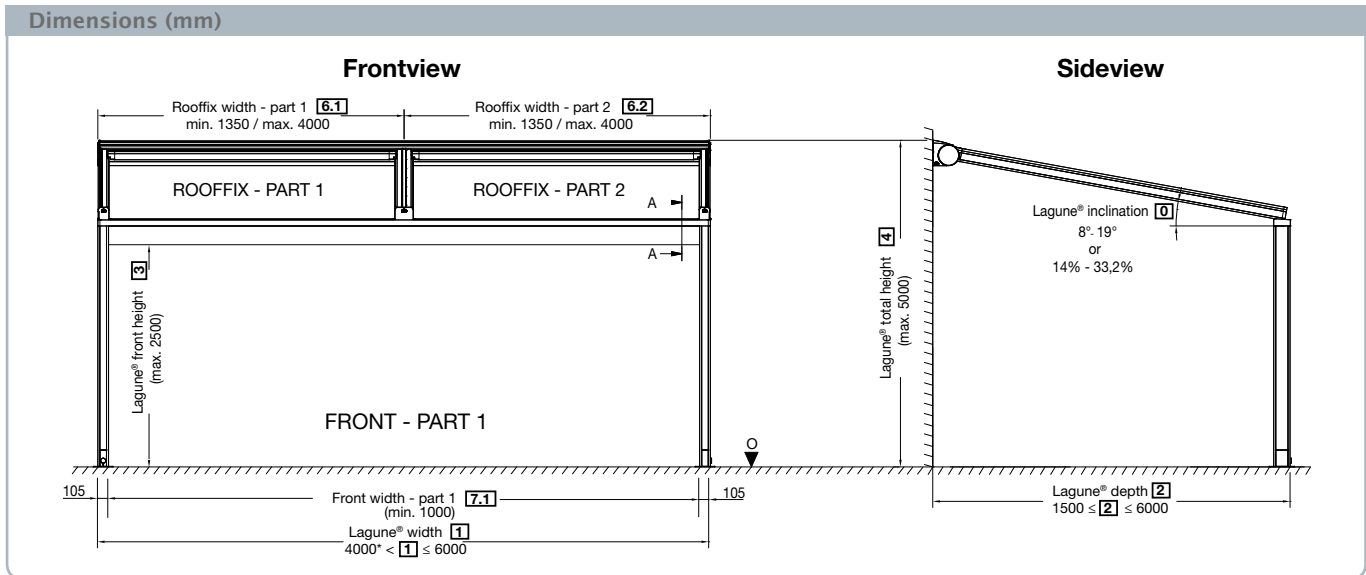
Completely retractable

Dimensions

The buyer has a number of different configurations to choose from when opting for the Lagune®.

Lagune® Basis

First is the Lagune® Basis, which consists of a Lagune® support structure with a Rooffix®. The Rooffix® is a roof construction that can be closed using an innovative, transparent sun protection fabric. The sun protection fabric roof is watertight while still allowing light to get through. The roof can be opened completely. The Rooffix® is supported at the front by vertical columns.

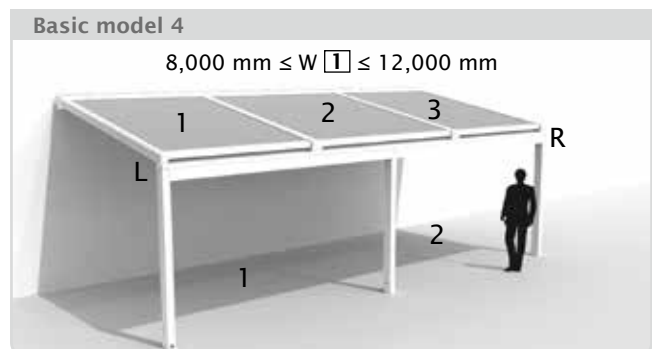
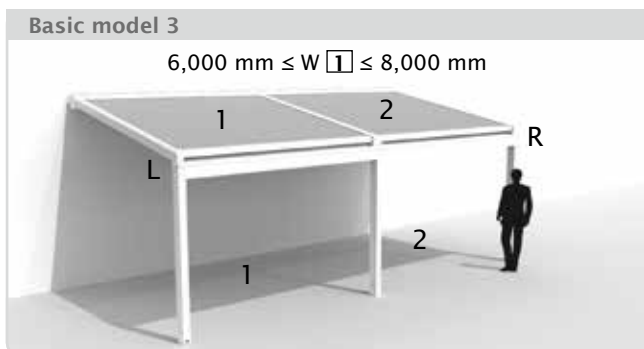
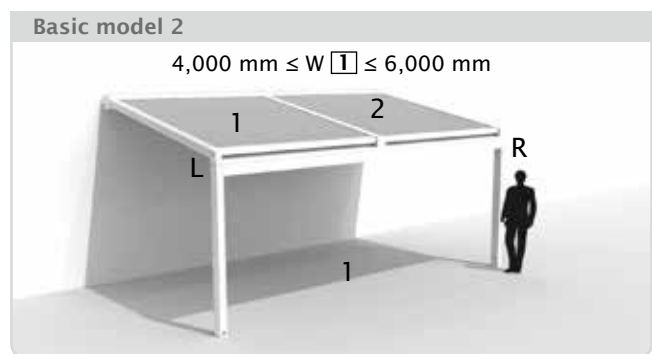
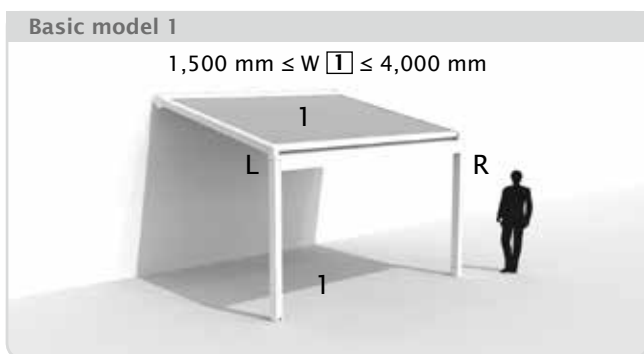


The following dimensions are important for the Lagune®:

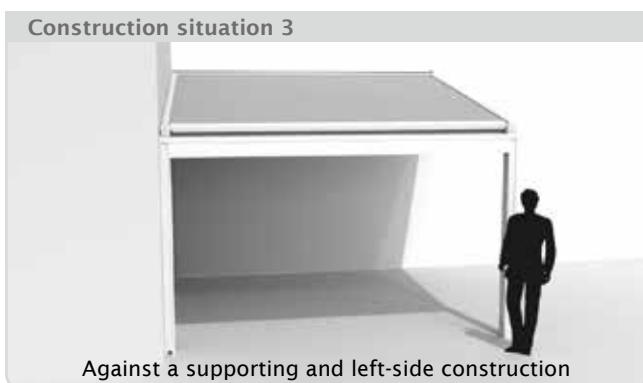
Width	[1] = Max. 12,000 mm
Depth	[2] = Max. 6,000 mm
Passage height	[3] = Max. 2,500 mm
Total height	[4] = Max. 5,000 mm
Angle of inclination	[0] = Min. 8°

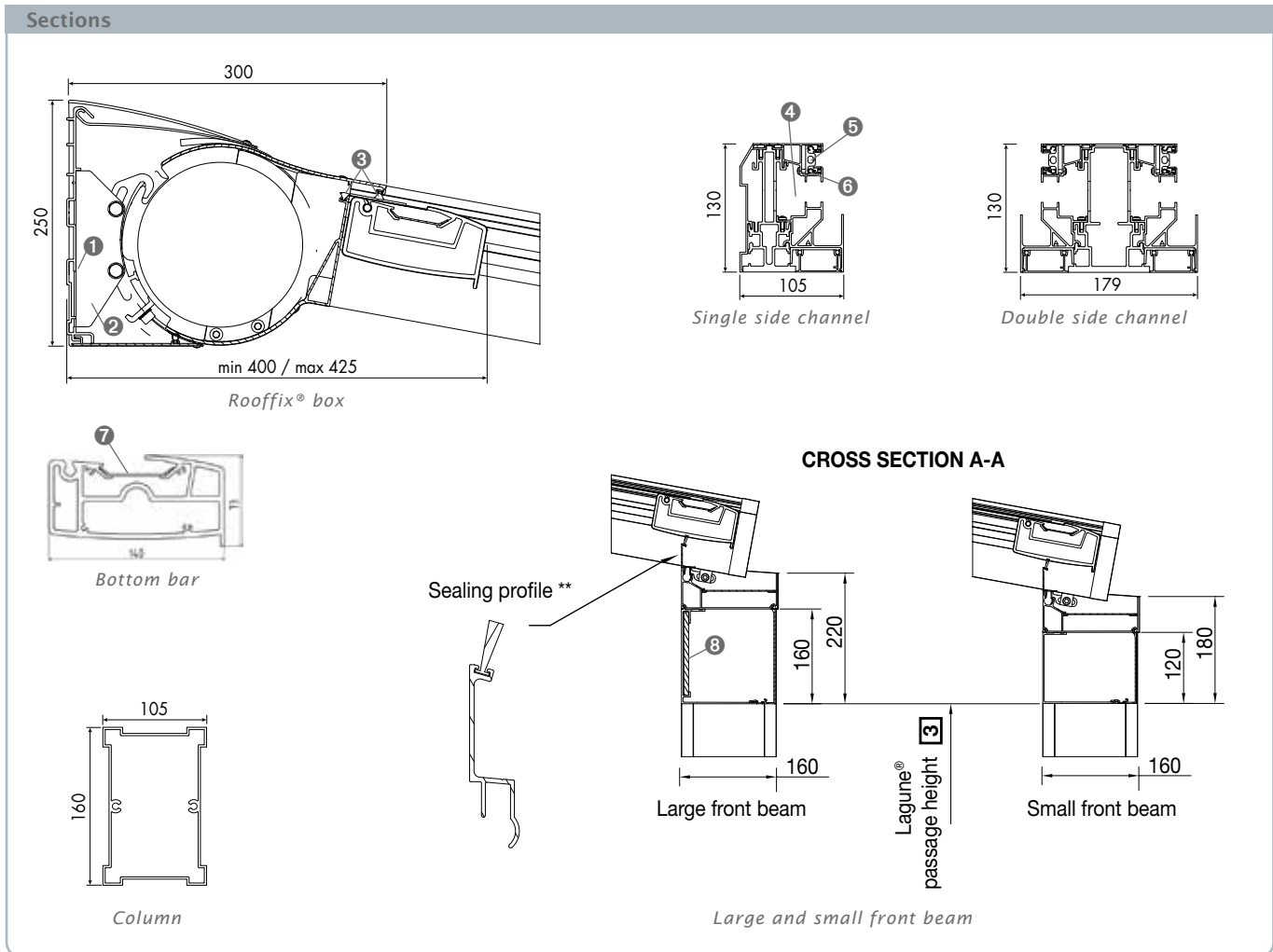
Types

There are four basic models, depending on the width of the Lagune®:



The Lagune® patio cover is always installed against a supporting construction. It is also possible to install the Lagune® patio cover against a supporting construction and a side wall. This side wall can be on the left, right or along both sides of the Lagune®.





Rooffix® box

The Rooffix® box is 300 mm deep and 250 mm high.

This box is made up of 5 extruded aluminium profiles. The back of the box is a wall profile ❶. The entire length of this is placed against a supporting structure. The wall profile is fitted with suspension brackets ❷ for installing the Rooffix®.

Brushes ❸ are fitted along the entire length of the box, above and below where the fabric goes into the box.

This reduces dirt, wind and noise.

The sides of the fabric box are each fitted with two side consoles in aluminium that function as a finish element.

Side channels

The single side channels (W105 mm x H130 mm) are made of extruded aluminium. These have five parts and are self-bearing. The side channels are fitted with a hidden drainage gutter so that any water from precipitation landing on the fabric is drained away via the side channels and the bottom bar.

The side channels are fitted with chambers ❹ through which the trolleys wheels for the bottom bar run. This allows for perfect guidance of the bottom bar when moving.

These side channels provide, together with the trolleys, mechanical security on the bottom bar.

A double side channel (W179 mm x H130 mm) is used with multiple Rooffix® parts

An internal H-PVC side channel guide ❺ is integrated into every side channel. The side channel contains two S-shape neoprene gaskets ❻ along the entire length of the internal H-PVC side channel guide to compensate for gusts of wind. The zip, which is welded to the fabric, is threaded through this internal H-PVC side channel guide, thus “holding” the fabric in place. When assembled correctly, there is sufficient tolerance between the fabric, aluminium side channels and the internal H-PVC side channel guides to guarantee ease of use.

Bottom bar

The bottom bar (W73 x H140 mm) is done in extruded aluminium. A left and right trolley is fixed laterally to this aluminium profile. The trolleys are fitted with wheels that guide the bottom bar in the side channels. A black, internal H-PVC leaf catcher ⑦ is installed in the bottom bar. This catches the dirt so that the drainage channels do not become clogged.

Front beam

Small front beam

A basic structure with a small front beam (height 180 mm) comes with the Lagune® model with a width $\leq 4,000$ mm or with the Lagune® model in which all the front parts have a width $\leq 4,000$ mm.

Large front beam

A basic structure with a large front beam (height 220 mm) comes with the Lagune® model with a width $> 4,000$ mm or with the Lagune® model in which one or more of the front parts have a width $> 4,000$ mm. This front beam contains an additional reinforcement iron ⑧ along the back.

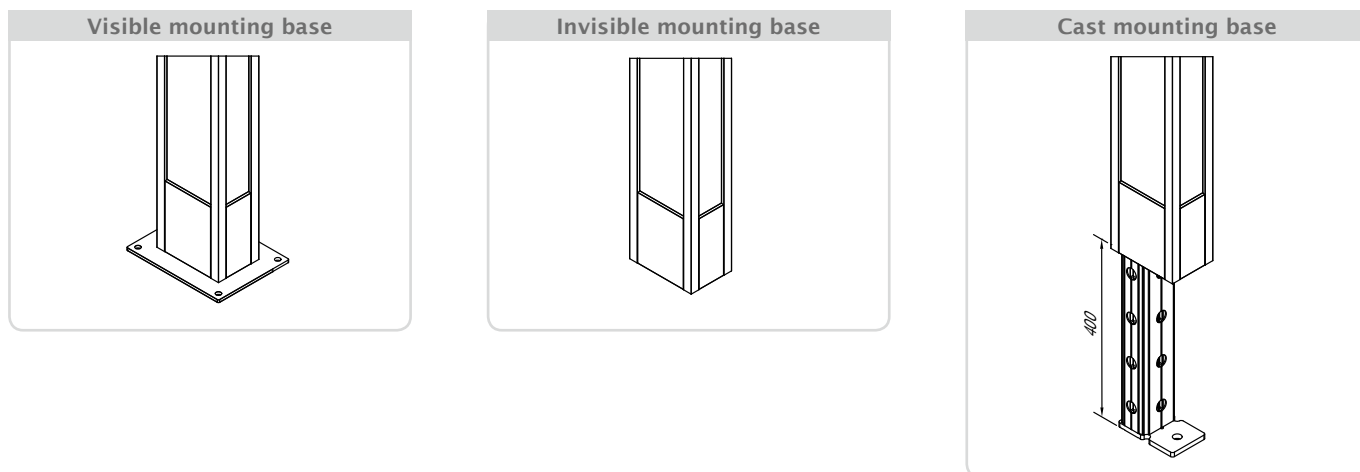
Columns

The column consists of an aluminium profile with basic dimensions of W105 x D160 mm.

The shape of the column allows the side guides of the integrated Fixscreen® Front and Side to be integrated in an aesthetic manner. The column also forms the foundation for the integrated water drainage and the fixation of the mounting bases. The column fits seamlessly into the front beam and is also visible in the extension of the side channels.

Mounting bases

There are three types of mounting bases: visible, invisible and cast mounting base.



Fixation

All fixing elements (e.g. screws) are made of stainless steel and are practically invisible.

Lapure®





Lapure®

Minimalist terrace covering with waterproof sun protection screen roof

The stylish, **minimalist** Lapure® consists of a windproof, waterproof, sun protection screen roof that rests on elegant, discrete aluminium columns **with no disruptive lateral connection** and is anchored to an existing wall.

When the roof is closed, the Lapure® provides shelter from the sun, wind and rain. When the roof is open, you can enjoy the sun as the **delicate structure** is not visually disruptive.

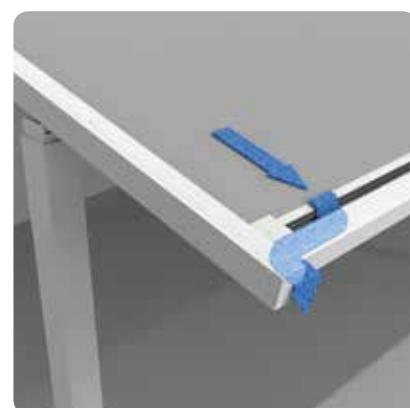
The Lapure® is available with two types of columns; with “**end columns**” and water drainage, even when half open, via side channels and columns. Or with “**shifted columns**”, (with roof overhang and water drainage via gutters) that project past the columns so that you can enjoy the shade to the utmost. This lets you enjoy enough shade, even when the sun is low in the sky, for instance (installation on west-facing façades).

A “**coupled**” version of both types is also available so that two roofs can be installed perfectly next to one another so that they span across larger areas (just 1 column to be joined).

Thanks to the wide range of colours for the structure and the screen fabric, the Lapure® blends in to every environment and suits every architectural style.

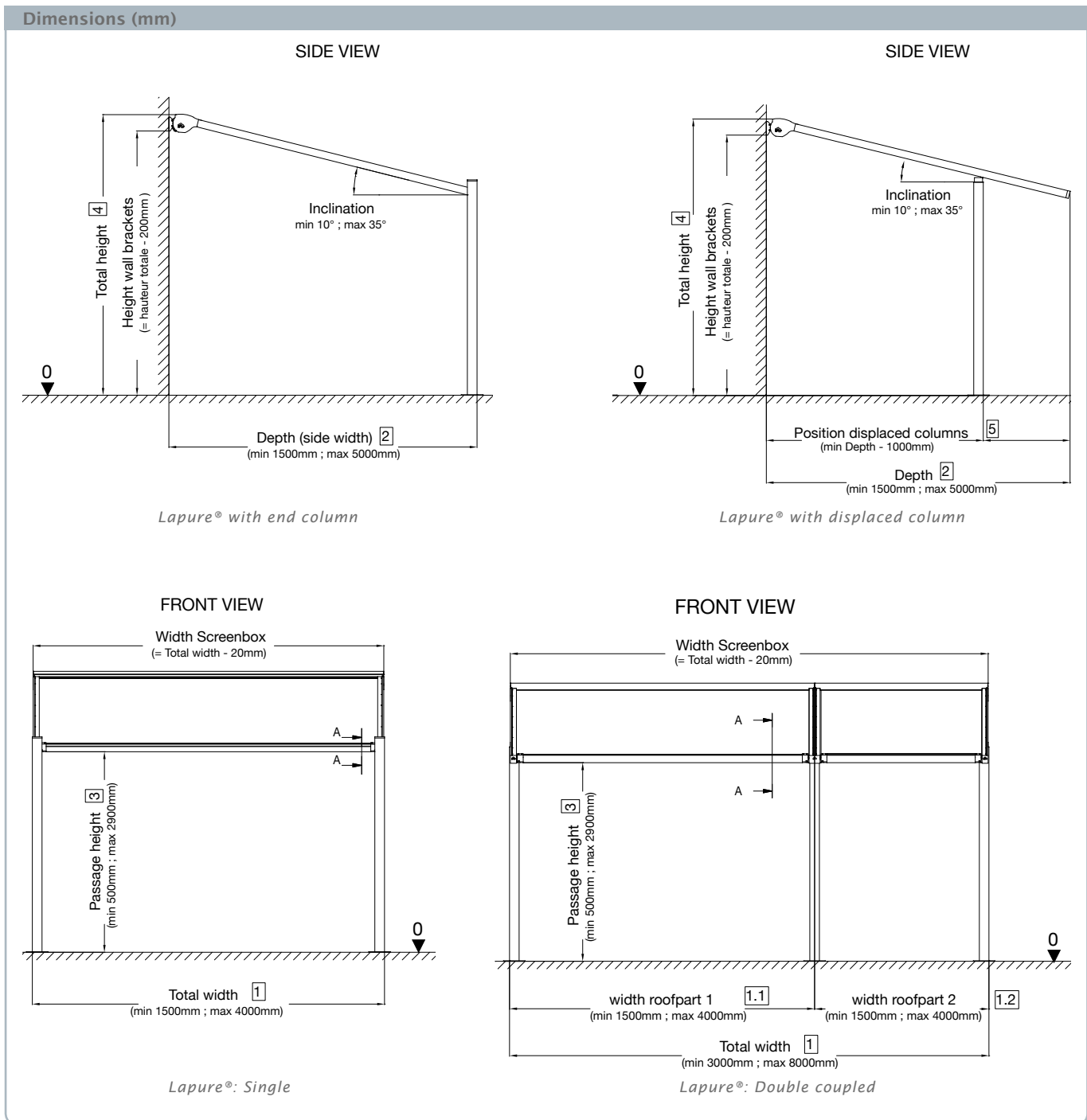


Coupled version with end column







With shifted column

Dimensions



- Width 1 = Min. 1,500 - Max. 4,000 mm
- Joinable up to 1 = max. 2 x 4,000 mm
- Depth (projection) 2 = Min. 1,500 - Max. 5000 mm
- Passage height 3 = Min. 500 - Max. 2,900 mm
- Total height 4 = depending on the angle of inclination that is set
- Angle of inclination 0 = Min. 10° - Max. 35°
- Roof overhang 5 = Max. 1,000 mm

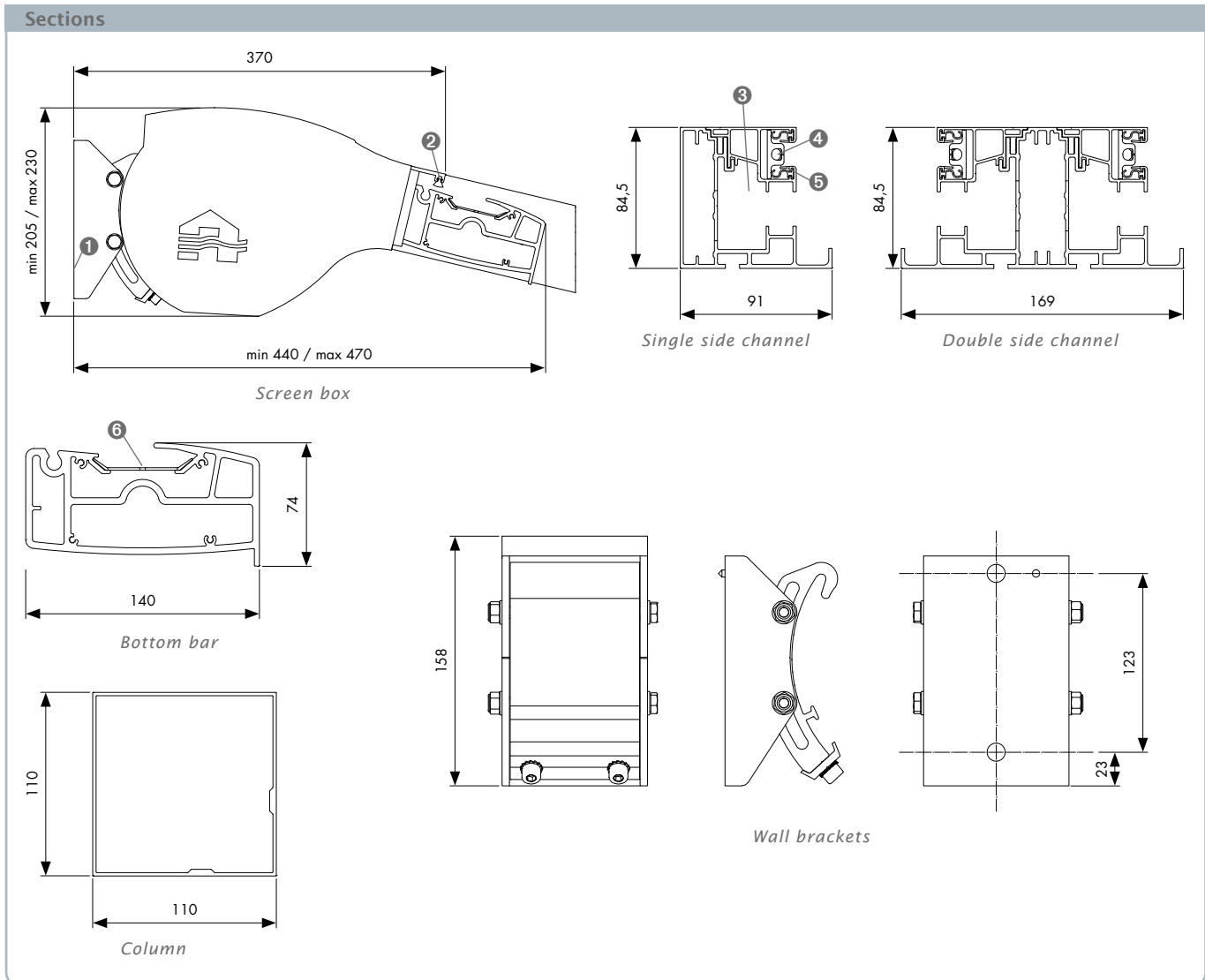
Types

	Without roof overhang (with "end columns")	With roof overhang (with "shifted" columns)
1 roof section		
2 roof sections		



A combination of an end column and a displaced column is possible





Screen box

The Screen box is 288 mm deep and 206 mm high.

This box is made of extruded aluminium components and is fixed using adjustable wall brackets ❶.

Brushes ❷ are fitted along the entire length of the box, above and below where the fabric goes into the box. This reduces dirt, wind and noise.

The sides of the fabric box are each fitted with two side consoles in aluminium that function as a finish element.

Side guides

The self-bearing "single" side guides (W91 x H84.5 mm) are made of self-bearing, extruded aluminium. The side guides are fitted with a hidden drainage gutter so that any water from precipitation landing on the fabric is drained away via the side guides and the bottom bar to the columns (for the Lapure® with end columns). The side guides for the Lapure® with shifted columns must be "gutters" and the water is not drained off via the columns.

A "double" side guide (W169 x H84.5) is used in the coupled Lapure®.

The side guides are fitted with chambers ❸ through which the trolleys wheels for the bottom bar run. This allows for perfect guidance of the bottom bar when moving.

These side guides provide, together with the trolleys, mechanical security on the bottom bar.

An internal H-PVC side channel guide ❹ is integrated into every side guide. The side guide contains two S-shape neoprene gaskets ❺ along the entire length of the side channel guide to compensate for gusts of wind. The zip, which is welded to the fabric, is threaded through this internal side channel guide, thus "holding" the fabric in place. When assembled correctly, there is sufficient tolerance between the fabric, aluminium side guides and the side channel guides to guarantee ease of use.

Bottom bar

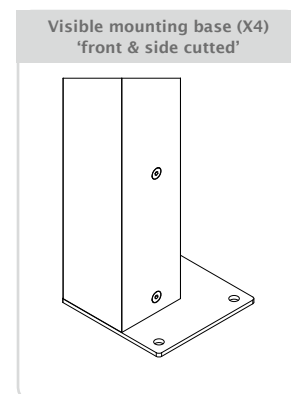
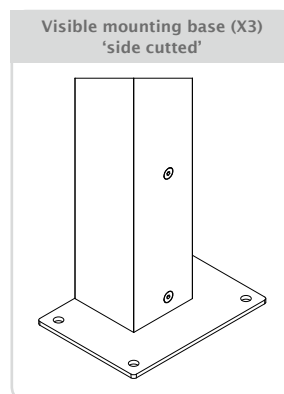
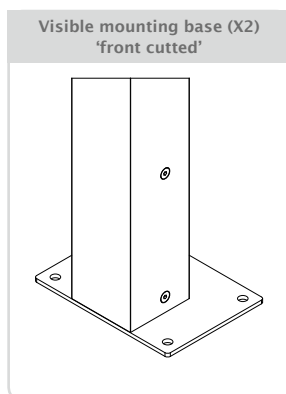
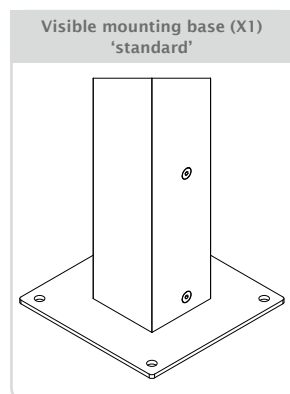
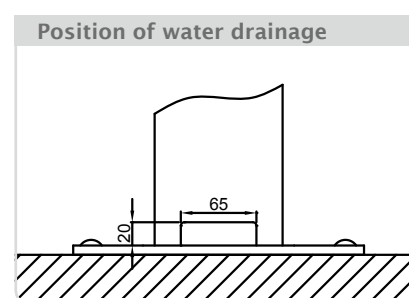
The bottom bar (W73 x H140 mm) is done in extruded aluminium. A left and right trolley is fixed laterally to this aluminium profile. The trolleys are fitted with wheels that guide the bottom bar in the side channels. A black, plastic internal leaf catcher ⑥ is installed in the bottom bar. This catches the dirt so that the drainage channels do not become clogged.

Columns

The side guides are supported by aluminium vertical columns of 110 x 110 mm. The columns can either stand at the end of the side guides (with “end columns”) or underneath (with “shifted” columns). The column forms the foundation for the water drainage (for the Lapure® with end columns) and the fixation of the mounting bases.

Mounting bases

The Lapure® is fixed to the ground using a visible mounting base. There are 4 types of mounting bases available that must be fixed in place using the anchors (not supplied). The appropriate fixation materials, depending upon the surface, must be used. Any water drainage via the mounting bases always runs “off the terrace”.



Fixation elements

All fixation elements (e.g. screws) are made of stainless steel and are practically invisible.

Customisation possibilities



Customisation possibilities

Both the Camargue® and the Lagune® can have various elements added to the front and/or sides. By adding side elements you create infinite possibilities for customisation. The front and/or the sides of the Algarve® can be fitted with vertical sun protection. No additions to the Lapure® are possible.

	Lagune®	Camargue®
Triangle®		Not applicable
Integrated Fixscreen®		
Loggia® sliding door <ul style="list-style-type: none"> • Loggiawood® • Loggiawood® Privacy • Loggiascreen® 4FIX • Loggialu® • Loggialu® Privacy 		
Loggia® easy passage <ul style="list-style-type: none"> • Loggiawood® • Loggiascreen® 4FIX • Loggialu® 		
Glass sliding wall		
Glass sliding wall + Integrated Fixscreen®		

Algarve® / Algarve® Roof

Fixscreen® 100 ^{EVO} Slim F	
Fixscreen® 150 ^{EVO} F	

Customisation possibilities



Triangle - Lagune®

In order to make the integration of the additions possible in the Lagune® Side, it is necessary to fit this with the Lagune Triangle®. The Lagune® is fitted with a vertical wall profile and an additional box in this case. The triangle that is created between the Lagune's® box and side channel is filled with a fibreglass fabric of your choosing.



Fixscreen®

Fixscreen® technology

Thanks to an ingenious zipper system, the fabric is windproof in every position and is insect-proof in the closed position. It is a simple principle by which the sun-protecting fabric has a special trim with symmetrical zipper. In that way, the entire structure is held firmly by the two side channels.



Connect&Go® technology



The integrated Fixscreen® is fitted with our patented Connect&Go® technology. This new development provides an enormous advantage for installation, as well as for removing the fabric roller when replacing a screen or motor.

Integrated Fixscreen - Lagune® & Camargue®

By integrating the vertical sun protection, the integrated Fixscreen®, with or without Crystal windows to keep a view of the outside, you can create an extra outdoor room where the users are protected from sun, rain and wind. These screens come in 50 colours and allow you to personalise the Lagune® and Camargue® and create the atmosphere you desire.



Camargue® is fitted with the integrated Fixscreen® in the Span and Pivot side



Lagune® is fitted with multiple integrated Fixscreens® in the Front



Lagune® is fitted with multiple integrated Fixscreens® in the Side

Camargue®: bottom bar disappears into the box

The Camargue's® frame profiles are developed in such a way that the bottom bar is aesthetically hidden away in the box when the screen is raised.

Perfect integration, even afterwards!

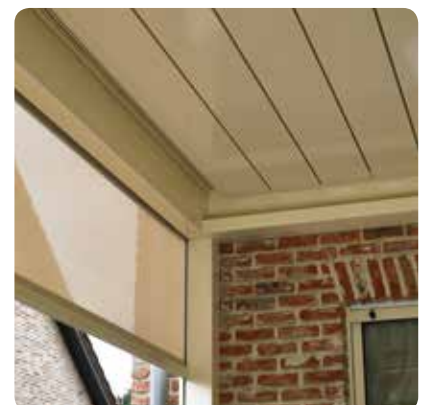


Bottom bar disappears into the Camargue® box

Fixscreen® 100^{EVO} Slim F / Fixscreen® 150^{EVO} F - Algarve®

To close off the sides of the Algarve®, it can be combined with the Fixscreen® 100^{EVO} Slim F and the Fixscreen® 150^{EVO} F. This allows the box for the sun protection screen to be mounted underneath the frame profiles so that this connects perfectly with the basic construction.

Fixscreen® EVO technical characteristics		
(mm)	Fixscreen® 100 ^{EVO} Slim (F)	Fixscreen® 150 ^{EVO} (F)
Box (W x H)	110 x 150	155 x 150
Dimensions		
Maximum (W x H) screen	4500 x 2700	6000 x 2700
Bottom bar (W x D)	30 x 53 disappears into the box	
Closed side guides (C) (W x D)	35 x 48	
Deep side guides (D) (W x D)	35 x 110	35 x 150



Customisation possibilities

Loggia® sliding panels - Lagune® & Camargue®

You can achieve another look & feel by integrating the Loggiascreen® 4FIX, Loggiawood® and Loggialu® sliding panels. Loggiascreen® 4FIX can be fitted with the same screen fabric as the vertical screens. A warm & cosy feeling is achieved using the (Western Red Cedar) blades with the Loggiawood® sliding panels. Choose the aluminium blades for an austere design. They are the perfect solution for creating a sliding wall or sliding door.



Fitted with sun protection screens



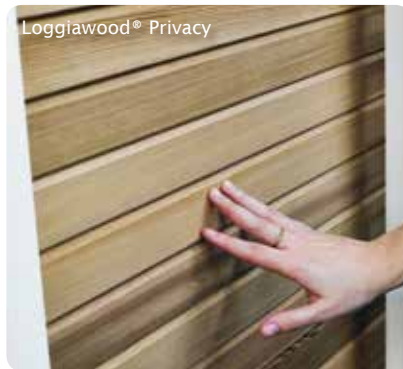
Fitted with wood blades: fixed



Fitted with aluminium blades



Blades can be slanted manually from closed to fully open



The Privacy model of the Loggiawood® and Loggialu® sliding panels have blades that can be rotated manually from fully closed or open (applicable for Camargue®).

Loggia® sliding door

Types:

- Loggiawood®: wooden blades (Western Red Cedar)
- Loggiawood® Privacy: rotating wooden blades (Western Red Cedar)
- Loggiascreen® 4FIX: screen fabric (fibreglass)
- Loggialu®: aluminium blades
- Loggialu® Privacy: rotating aluminium blades

Integration:

Camargue®: available in Span
Lagune®: available in Side

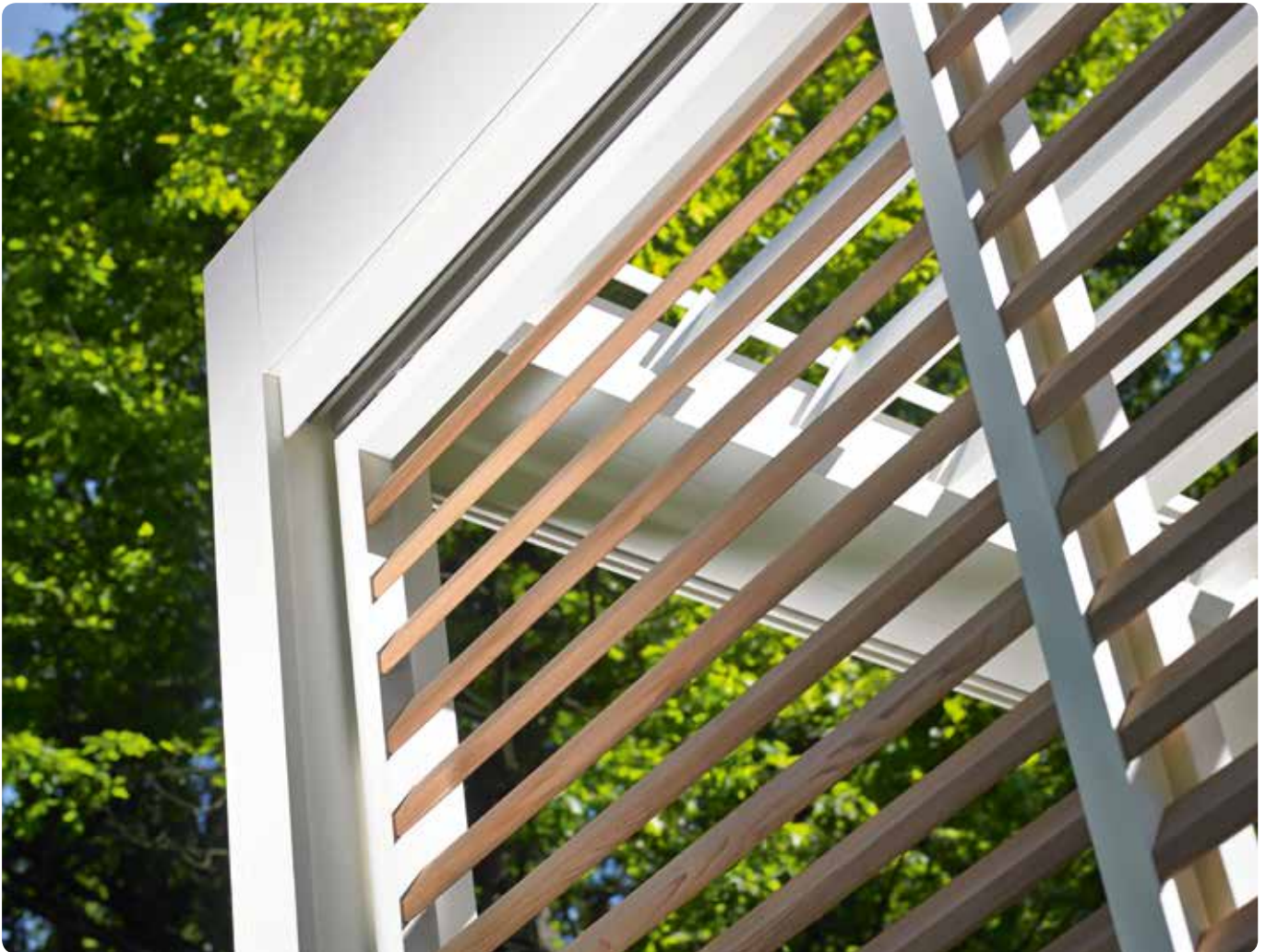


Camargue® fitted with Loggiawood® sliding wall on the Span side



Lagune® fitted with Loggiawood® sliding wall on the side

Distribution of panels	
1,500 ≤ X ≤ 2,500	2,500 < X ≤ 3,895
2 panels	4 panels
2 rails	2 rails



Loggiawood® sliding wall

Loggia® easy passage/sliding door

Types:

- Loggiawood®: wooden blades (Western Red Cedar)
- Loggiascreen® 4FIX: screen fabric (fibreglass)
- Loggialu®: aluminium blades

Integration:

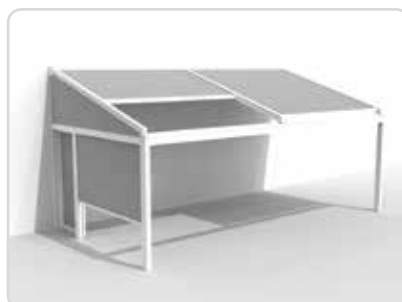
Camargue®: available in Span and/or Pivot

Lagune®: available in Side and/or Front

Width: min. 800 mm – max. 1,200 mm



Camargue® fitted with an integrated Fixscreen® and sliding door using Loggiascreen® 4FIX in the Span side



Lagune® fitted with an integrated Fixscreen® and sliding door using Loggiascreen® 4FIX in the Side



Lagune® fitted with an integrated Fixscreen® and sliding door using Loggiascreen® 4FIX in the Front

Customisation possibilities



Glass sliding wall

In addition to the vertical, windproof Fixscreen® sun protection, you can also opt to integrate sliding glass walls. In this development, special attention was given to easy installation and perfect integration, while still allowing this to be combined with the integrated Fixscreen®. This allows the main advantage of sun protection to be maintained in addition to other important benefits, such as lockable to prevent theft and protection from weather & wind. The fully transparent sliding walls increase the elegance of the Camargue® and Lagune®.

Integration:

Camargue®: available in Span and/or Pivot

Lagune®: available in Side and/or Span

Available in combination with an Integrated Fixscreen®.



Distribution of sliding glass doors

$1,500 \leq X \leq 2,500$ Width X	$2,500 < X \leq 3750$ Width X	$3750 < X \leq 5250$ Width X	$5250 < X \leq 5940$ Width X
3 panels	4 panels	6 panels	8 panels
3 rails	4 rails	3 rails	4 rails
Opens to the left Or opens to the right	Opens to the left Or opens to the right	Opens to the left & opens to the right	Opens to the left & opens to the right
Incl. 1 handle	Incl. 1 handle	Incl. 2 handles	Incl. 2 handles

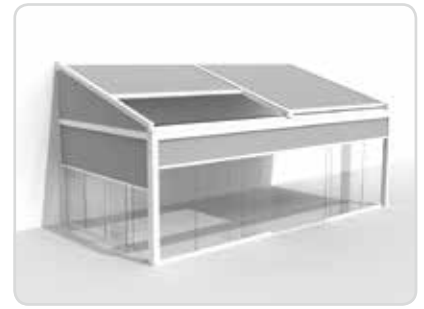
Customisation possibilities



The Camargue® is fitted with sliding glass walls and integrated Fixscreens® in the Span & Pivot side



The Lagune® is fitted with sliding glass walls in the Side & Front



The Lagune® is fitted with sliding glass walls and integrated Fixscreen® in the Side & Front

		Options for the Camargue® sliding glass wall	
		Stainless steel cup handle (can be used on both sides)	
		Stainless steel knob (inside)	<div style="display: flex; justify-content: space-around;"> <div style="text-align: center;"> <p>Inside</p> </div> <div style="text-align: center;"> <p>Outside</p> </div> </div>
		Acrylic glass handle (inside or outside)	
		Door bottom sweep 10 mm shatterproof glass (1 piece per glass panel)	
Secured in the middle	Type A	Catch: Catch in the middle of the glass wall (standard on the inside)	
	Type B	Lock & catch: Secured glass panels in the middle of the glass wall using a lock and catch (standard on the inside)	
Secured on the side	Type C	Lock & catch: Secured on the side of the outermost glass panel using a lock and catch in a vertical wall profile (standard on the inside)	
	Type D	Emergency catch with hex key: Secured on the side of the outermost fixed glass panel using a hex key (emergency catch) in a vertical wall profile (standard on the inside)	
	Type E	Catch: Secured on the side of the outermost moving glass panel using a catch in a vertical wall profile (standard on the inside)	

Combinations of catches (looking from the outside in)	
COMBINATION 1: e.g. opens to the left, catch	
	<p>Left: Type D</p> <p>Right: Type E</p>
COMBINATION 2: e.g. Opens to the right, lock and catch	
	<p>Left: Type C</p> <p>Right: Type D</p>
COMBINATION 3: e.g. Opens in the middle, catch	
	<p>Left: Type D</p> <p>Middle: Type A</p> <p>Right: Type D</p>
COMBINATION 4: e.g. opens in the middle, lock and catch	
	<p>Left: Type D</p> <p>Middle: Type B</p> <p>Right: Type D</p>
* = additional vertical wall profile	

Customisation possibilities

Lighting & Heating

Integrated LED lighting, heating and sound system are the perfect additions to the Lagune®, Algarve®, Algarve® Roof and Camargue®. Thanks to these extra features, the patio can be used from early morning to late evening, all year round. The Beam is also available separately. Moreover, these additions can be perfectly integrated afterwards.

Heating & Loudspeakers

Beam: design beam fitted with:

Heat & Sound



Integrated heating elements and loudspeakers.

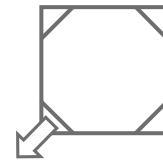
Lighting

Lagune® LED:



LED lighting integrated into the side channels in the Rooffix® Lagune®.

Colomno LED:



LED lighting integrated into the Camargue® columns.

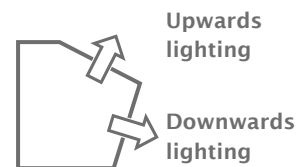
LED lighting can be integrated into each column. There can be a total of four columns fitted with one integrated LED lighting per roof section (always at a inner corner of a column).

Lineo LED



LED lighting integrated into the Camargue®, Algarve® blades.

UpDown LED:



LED lighting integrated into the inside of the frame. Fitted with lighting running up and/or down. This lets you create indirect or direct atmospheric lighting with the Camargue®, Algarve®.

A total of two UpDown LED lighting modules can be installed per roof section. This can be done on one or both Pivot sides or on one or both Span sides.



BEAM - design beam:

- Dimensions: H 165 mm x D 47 mm
- The angle of inclination is 30° adjustable without extra steps

HEAT - heating elements:

- Dimensions: H 160 mm x W 1,284 mm
- 12 ampere / heating element
- 2,600 W / heating element
- Waterproof IP65

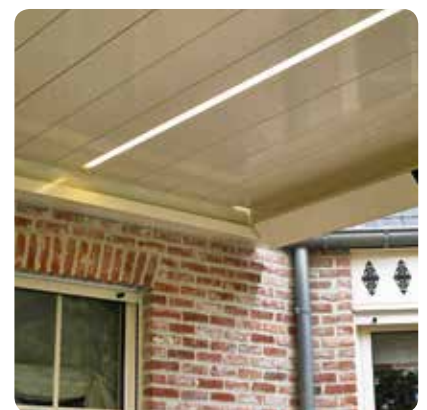
SOUND - Loudspeakers:

- Dimensions: H 160 mm x W 160 mm
- 25 W RMS / Flat Panel Speakers with "Plane Wave" Technology
- 50 W peak capacity / Flat Panel Speakers with "Plane Wave" Technology
- Waterproof IP65

LED lighting:

- Warm white light (3,000K)
- Pure white light (5,000K)
- RGB

The LEDs can be dimmed.



	Warm white light	Pure white light	RGB (colour)
Lagune® Light	✓	✓	
Lineo® LED*	✓	✓	
Colomno LED**	✓	✓	✓
UpDown LED** Upwards	✓	✓	✓
UpDown LED** Downwards	✓	✓	

* Warm white: 2,100 lm/m (180 LEDs/m) • Pure white: 2,340 lm/m (180 LEDs/m)

** Warm white: 550-680 lm/m (120 LEDs/m) • Pure white: 550-680 lm/m (120 LEDs/m) • RGB: 570-700 lm/m (60 LEDs/m)

Customisation possibilities



Glass roof blade - Lineo® Luce

Transparent glass blades can be integrated into the Camargue®, Algarve® and Algarve® Roof as well. Thanks to these transparent blades, the Lineo® Luce blades specifically, more openness is created. This is a way to bring more light into your home when adding on an extension.

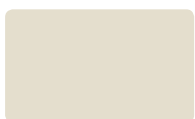
A total of five transparent blades can be installed per roof section. These can either be put all together or spread out across the whole of the roof section.





Colours

Our patio covers are powder-coated with “Seaside quality A” pretreatment as standard. All of our products are available in all of the standard RAL colours and in architectural textured coating. We recommend choosing the architectural textured coating.



RAL 1013



RAL 7030



RAL 9007



MAT 7021



MAT 9006



RAL 1015



RAL 7039



RAL 9010



MAT 7030



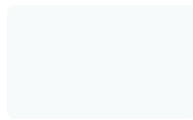
MAT 9007



RAL 7016



RAL 8019



RAL 9016



MAT 7039



RYD 7M16



RAL 7021



RAL 9001



MAT 7016



MAT 9001



RYD 7M21

* Colours may differ from the actual RAL colour. This table is only to be used as a reference.

Fabric screens



Rensonscreen® Waterproof samples



Screen Sergé samples



HOC fabric sampler

Rensonscreen® Waterproof

This innovative screen type is made of a fine mesh fabric, woven according to the special “Rachel Trameur” weaving technique, with the base in an extra durable polyester (Fire classification M1). A transparent PVC coating is applied to this which allows the screen to be **transparent while still letting light in!**

The vertical edges are fitted with a zip and the eyelets at the top and bottom are fixed with high-frequency welding.

This screen can (only) be used with the Lagune® Rooffix® and Lapure®.

Fibreglass fabric Screen Sergé

This screen fabric is woven from fibreglass threads with a PVC coating. Fabric made of fibreglass retains its shape, does not suffer from moisture or heat, will not rot and is colour fast. The sides of the finished fabric are reinforced with a transparent band that is 9 mm wide and 0.3 mm thick. The upper and lower side have a welded seam through which a screen cord has been threaded. At heights greater than 2,700 mm, the fabric also has a horizontal welding seam. For a selection of seven types of fabrics: horizontal welding seam if the height > 3200 mm.

This fabric can be used in the integrated Fixscreen®, the Loggiascreen® 4FIX sliding door and sliding wall and the Lagune® Triangle.

Crystal screen

This transparent type of fabric is made from PVC (Fire classification M2). The Crystal fabric is welded into a fibreglass screen using high-frequency welding.

This fabric can be used in the integrated Fixscreen®, Fixscreen® 100^{EVO} Slim F and the Fixscreen® 150^{EVO} F.

Crystal windows

In order to maintain the highest level of contact with the space outside, transparent crystal windows in integrated Fixscreen® fibreglass fabric can be installed.

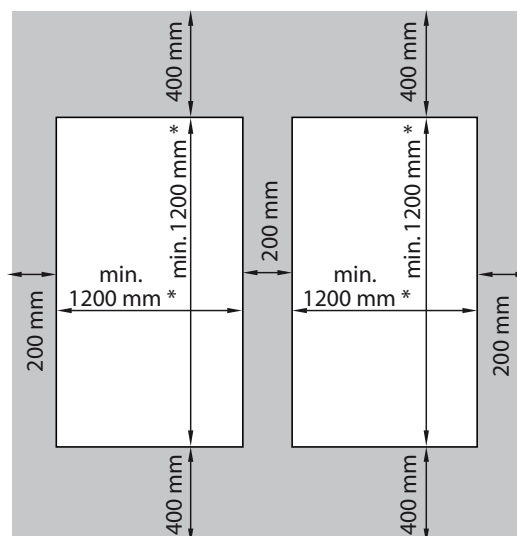
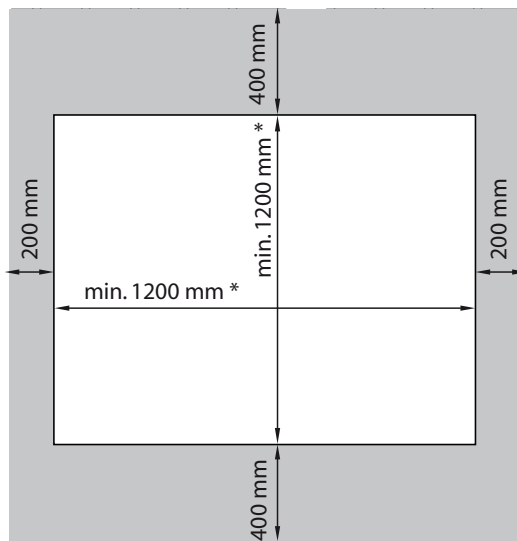
There are various options where you can choose between three types of windows:

- One window of 1,200 mm by min. 1,200 mm
- 2 windows* next to each other
- 2 windows* one above the other

A total of two Crystal windows can be installed per screen.

There must be a minimum distance of 200 mm between the sides of the fabric and between the Crystal windows themselves.

There must be a distance of 400 mm between the Crystal windows and the bottom and the top edges of the fabric.



* Either the height or the width must be 1,200 mm. The other dimensions must be a min. of 1,200 mm.

Operating methods



Operation

You can operate your patio cover easily by means of Somfy® automation. You can operate the roof and/or the screens of your terrace covering with a remote control. Depending on the desired use and the number of screens, you can choose from several different remote controls.



somfy.

Lagune®

Somfy® io-homecontrol®

The Lagune® and the motorised additions can be controlled together using the Somfy® io-homecontrol®. This is a two-way, wireless radio communication technology that is used in a large number of applications for specialised partner brands in the residential sector.



Operation

Lapure®

Somfy® io-homecontrol® & RTS

The Lapure® can be operated by the Somfy® io-homecontrol® or using Somfy® Radio Technology (RTS for short).



Wind sensor

Algarve®:

RTS

The Algarve® is controlled using Somfy® RadioTechnology (abbreviated as: RTS).

Camargue®

RTS

The Camargue® is controlled using Somfy® RadioTechnology (abbreviated as: RTS).



TaHoma®

Thanks to TaHoma®, the user friendly Somfy® operating interface, you can control your patio cover from your Smartphone, tablet or computer.

There is no feedback with RTS control.

Rain and wind sensor

In order to offer the best protection, our patio covers can be combined with a rain or wind sensor.

Tests



Our patio covers offer protection and comfort on different levels. In order to guarantee this comfort, they are thoroughly tested for water resistance, load bearing and wind resistance.

Water tested

The water resistance and water drainage are tested using a spray installation that mimics rain showers. For example, we check how much flow our patio covers can drain and how this drainage can be optimised:

Algarve®: The Algarve® can drain an amount of water equivalent to a rain shower with an intensity of between 144 mm/hr and 180 mm/hr that lasts up to 2 minutes. These kinds of rain showers occur on average once every 10 years in Belgium. (Source: Belgian rain statistics: NBN B 52-011 standard)

Camargue®: The Camargue® can drain an amount of water equivalent to a rain shower with an intensity of 180 mm/hr that lasts up to 2 minutes. These kinds of rain showers occur on average once every 15 years in Belgium. (Source: Belgian rain statistics: NBN B 52-011 standard)

Lagune®: The Lagune® can drain an amount of water equivalent to a rain shower with an intensity of 180 mm/hr that lasts up to 2 minutes. These kinds of rain showers occur on average once every 15 years in Belgium. (Source: Belgian rain statistics: NBN B 52-011 standard)



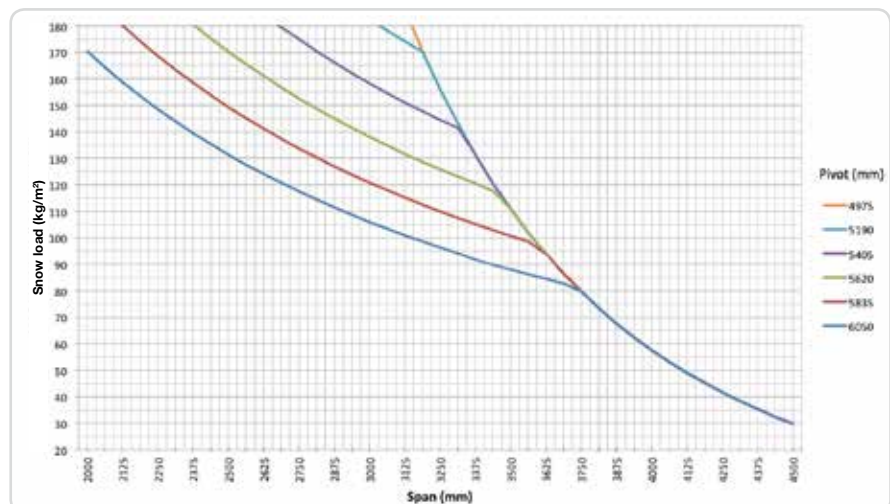
Carrying capacity

Terrace coverings are subjected to various forces (e.g. snow).

The carrying capacity is determined using static strength calculations carried out by our engineers and validated through internal tests. The basic principle is that the construction may bend 1/200th of its longest dimension without permanent deformities occurring.

The carrying capacity of the Algarve® & Camargue® is dependent on the basic structure and the surface area. Using the following diagram, the carrying capacity depending on the Span & Pivot dimensions are given.

Specifically: A terrace covering with a Pivot of 6,000 mm and a Span of 4,000 mm may bend 30 mm at a load bearing weight of 55 kg/m² (i.e. 1,320 kg across the entire terrace covering). Another example: a terrace covering with a 3,375 mm Span and a 5,835 mm Pivot can bear a load of no less than 110 kg/m² (= 2,160 kg)!



Algarve® & Camargue® carrying capacity

Wind tested

In order to determine the wind forces that our patio covers and vertical sun protection screens can withstand, wind tunnel tests were carried out.

Algarve® & Camargue®:

The 4000 x 4000 mm Algarve® & Camargue® were tested in winds up to 120 km/h (12 Bft). With this, we concluded that the blades need to be closed when wind speeds reach > 50 km/h (7 Bft) and no problems occur when blades are closed in winds up to 120 km/h.

Guarantee up to 120 km/h when blades are closed.

Lagune®:

The Lagune® Rooffix® was tested in winds up to 120 km/h (12 Bft) and experienced no issues when the sun protection fabric is fully rolled up. The sun protection fabric must be taken in at wind speeds > 120 km/h.

Guarantee up to 120 km/h when sun protection fabric is fully rolled up.

Integrated Fixscreen®:

The integrated Fixscreen® experiences no issues up to 60 km/h (7 Bft). The sun protection fabric must be taken in at wind speeds > 30 km/h.

Guarantee up to 60 km/h when closed.

Lapure®

The Lapure® can be operated in wind speeds of up to 50 km/h. The sun protection fabric must be taken in at wind speeds > 100 km/h.

Guarantee up to 100 km/h when sun protection fabric is fully rolled up.



Beaufort scale

Beaufort	Description	Average speed in m/s	Average speed in km/h	Consequences
0	Calm	< 0,2	< 1	You don't feel the wind. Smoke will rise virtually straight up.
1	Light air	0,3 - 1,4	1 - 5	Wind direction can be read from the smoke plume, but not from the weather vane.
2	Light breeze	1,5 - 3,4	6 - 12	Wind can be felt on the face, leaves rustle, the weather vane moves visibly with the wind.
3	Gentle breeze	3,5 - 5,4	13 - 19	Flags wave and leaves move about constantly
4	Moderate	5,5 - 7,4	20 - 27	Dust blown up causes problems for the eyes. Hair is awry.
5	Fresh breeze	7,5 - 10,4	28 - 37	Bushes rustle, white tops on lakes and canals.
6	Strong breeze	10,5 - 13,4	38 - 48	Umbrellas are difficult to hold on to, large branches sway, power lines hum
7	High wind to near gale	13,5 - 17,4	49 - 62	It is difficult walking against the wind. Trees sway.
8	Gale	17,5 - 20,4	63 - 73	Making headway is very difficult. Small branches break off.
9	Fresh gale	20,5 - 24,4	74 - 87	Chimney tops, roofing tiles and antennas blow away.
10	Whole gale	24,5 - 28,4	88 - 102	Adults blow over. Major damage to buildings.
11	Violent storm	28,5 - 32,4	103 - 117	Major damage to houses and forests.
12	Hurricane	> 32,5	> 118	Destruction

Guarantee



Guarantee

All of the materials we use are of high quality and have been modified for the purposes used. As manufacturer, we guarantee:

- 5-year guarantee on all defects arising from normal use and maintenance.
- 5-year guarantee on the electronic operating system.
- 2-year guarantee on the Crystal fabric.
- 10-year colourfastness guarantee for the powder-coating of the aluminium components.
- 5-year guarantee on the gloss of the lacquered profiles.
- 7-year guarantee on the Fixscreen® technology (zip remains in side guides + maximum bonding of zip to fabric)



The warranty covers the delivery of replacement parts, assembly on site by an installer (possibly assisted by a technical employee from RENSON® Sunprotection-Screens) or a complete revision of the system by the manufacturer at our location. The assembly costs (travel + hourly rate) are not covered by this guarantee.

The guarantee period starts on the date of production and applies only to the product itself, and not to the installation of it.

The warranty can only apply if the product is used and maintained in accordance with the instructions contained in the manual. The guarantee lapses if the product is used incorrectly or abnormally.

** See our guarantee terms and conditions.*



Maintenance

The system requires little maintenance, but we do advise the following to ensure years of sun-protection enjoyment.

- If the fabric gets wet in an unexpected shower, you can roll it up without problems and then roll it out later to allow it to dry. However, we highly recommend rolling up Crystal window fabrics when these are completely dry! Do not allow the fabric to stay rolled up wet for longer than three days; that will help prevent mould and stains.
- Before cleaning, remove loose dirt with a brush or vacuum cleaner. You can then use a cleaning product (avoid corrosive products) and remove the remaining dirt with lukewarm water. Always rinse the fabric after cleaning.
- Avoid cleaning in full sunlight: if the soapy water dries quickly, it can leave stains on the fabric. Do not use abrasive products to clean.
- Only wash the Crystal fabric with clean, lukewarm water ($\pm 30^{\circ}\text{C}$).
- Dirty anodised or enamelled profiles can be cleaned using lukewarm water and a gentle cleaning product. Do not use corrosive or harsh products, scourers or other scouring products. We also recommend that you do not use high-pressure equipment.
- The hinges and moving parts should be lubricated at least annually. Use a dry lubrication for this (Veidec Dry Lube (G6002790)). The PVC side guides through which the zips of the screens run must be lubricated at least once a year (Ceramic Lube (G6002795)).
- As a manufacturer, we recommend that you have the installation technically inspected on a regular basis:
 - Annually for a utilities building and for privately owned sun protection.
 - Every six months in extreme conditions (e.g. in coastal regions).
- Always use original parts for maintenance.
- See our user manual for for more information.



FAQ and Tips



Column positions - Algarve® & Camargue® & Lagune® Pure

The Algarve® and Camargue® can also be ordered with “shifted” columns. This can be useful if, e.g., the terrace covering needs to come out further than the terrace (but the columns still need to be on the terrace) in order to provide enough shade even when the sun is low in the sky.

Options after ordering - Lagune® & Camargue®

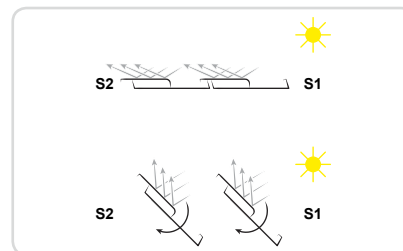
Options such as Fixscreens® can be perfectly integrated into the Lagune® & Camargue®. Options that can be integrated are even available for the Lagune® & Camargue® in a later stage. This makes it possible to distribute the budget.



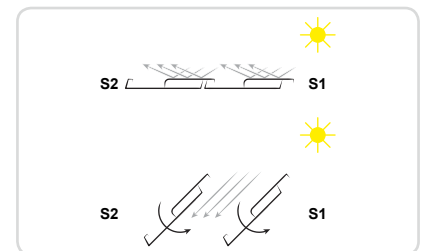
Direction of rotation of the blades - Algarve® & Camargue®

Think about the direction you want your blades to rotate. Do you want to be able to protect against the sun for as long as possible or allow as much light in as possible? You can make this choice with Renson®.

E.g. when adding on to a kitchen or a living room, people usually want to get as much light in as possible. The blades rotate from the Span side S2 as standard, to the extent that the southern sunlight (Span side S1) is blocked when opening the blades.



STANDARD SUN PROTECTION:
keeps light out when opening.



Lets light in when opening.



Column dimensions - Algarve® & Camargue® & Lagune® & Lapure®

Columns with “overlength” or “negative” overlength can be ordered. A column with (or without negative) overlength (= longer/shorter than the intended passage height) can be useful for, e.g. sloping terraces, terraces with height differences since a column could be mounted on the wall, for instance, and in many other situations.



Colour of the blades - Algarve® & Camargue®

The Algarve® and Camargue® are available in two colours (frame and columns in a different colour than the roof blades) at no extra cost. Tip: You can select a lighter colour for the blades when the structure is a darker colour. A darker roof blade colour creates the impression of a lower ceiling. A lighter colour creates a sense of more space.

Veranda

Is a terrace covering à la Algarve® or Camargue® similar to a veranda? No! A veranda is an extension of the living space enclosed in glass and creates an enclosed space that is completely wind and rain-proof. In contrast, a terrace covering is an open aluminium structure with a roof of rotating, aluminium blades that (possibly combined with side panels) primarily offers shelter from the sun and, to a more limited extent, bad weather. It is the outdoors that permeates the space under a terrace covering so that the users can enjoy the ambiance, scents, colours and sounds of the garden. So it is best to use weather-resistant garden furniture under the Algarve® or Camargue®.



Screen or blades - Algarve® & Camargue® & Lagune® & Lapure®

How can I choose between a terrace covering with a bladed roof (Algarve® & Camargue®) or with a fabric screen roof (Lagune® & Lapure®)? Each type of terrace covering has its own advantages. A covering using a sun protection screen can be opened up completely. This way you can keep out the sunlight or let it in completely depending on the weather. Terrace coverings with bladed roofs allow the user to control the amount of sunlight based on what is desired; when there is too much sunlight, the blades can be closed completely, but the roof can never be opened up completely to let in all of the sunlight.



Low sun: Fixscreen® - Lagune® & Camargue®

When the sun is low in the sky, sunlight can come in underneath the terrace covering and into your home. This is perfect for naturally warming your house up in the winter. However, this sunlight can be disruptive at times and cause temporary blindness, colours to fade or reflections on the TV and computer screens. Thanks to the vertical sun protection fabric (Fixscreen®) in the sides of your terrace covering, the incoming sunlight is reduced. At the same time, contact with the outdoors is maintained because the fabric is transparent.



Orientation of the terrace

Depending on the orientation of the terrace, you can position the covering differently.

A terrace covering with screen fabric or adjustable blades are both good solutions for a terrace facing southwards. You can keep the heat of the sun at bay by rolling out the fabric or closing the blades. It is best to install the blades of a bladed roof parallel to the home. This allows the best regulation of the amount of sunlight that gets in: completely or partially keep the sunlight out or let it come in.

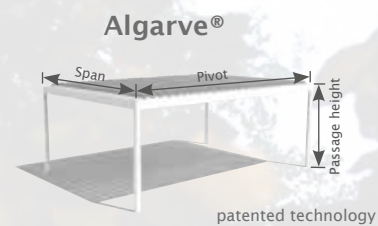
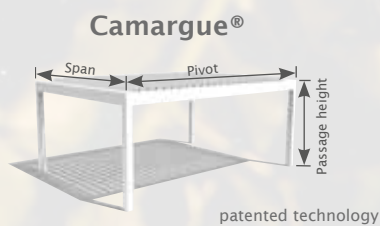
It is a good idea to install the blades perpendicular to the wall for a terrace that faces northwards. This is the best way to control the light coming in from the east and west, while the most light can be achieved when open.



Wind - Algarve® & Camargue®

If high winds are forecast, we recommend closing the roof panels (this can be done in wind speeds of up to 50 km/h). The entire structure is more solid and can better withstand the wind when the bladed roof is closed. We also offer a guarantee on the Algarve® & Camargue® with the roof closed for wind speeds of up to 120 km/h!

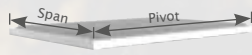
Overview



Roof options	Rotating aluminium blades	Rotating aluminium blades
Dimensions		
Max. width/pivot	6200	6050
Max. depth/span	4500	4500
Std. vertical clearance height	2800	2800
Extendible	multi-part extendible	two-part joinable
Min. angle	no angle (0°)	no angle (0°)
Technical specifications		
Integrated water drainage	standard (Incl. PVC drainage pipes in column)	standard
Integrated cables	standard	not applicable
Integrated motor	standard	not applicable
Operating switch	not applicable	option
RTS operation	standard	standard
io-homecontrol® operation	not applicable	not applicable
Personalisation		
Triangle	not applicable	not applicable
Glass roof blades - Lineo® Luce	option	option
Integrated vertical windproof screens	option	not applicable
Sliding door Loggiawood® / Loggiascreen® 4Fix	option	not applicable
Glass sliding walls	option	not applicable
Combination of glass sliding walls + integrated windproof screens	option	not applicable
Sliding door Loggiawood® / Loggiascreen® 4FIX	option	not applicable
Windproof screens (surface mounting) with Fixscreen®100 ^{EVO} Slim F / Fixscreen®150 ^{EVO} F	not applicable	option
Integrated LED lighting	option	option
Beam® with Heat® & Sound®	option	option



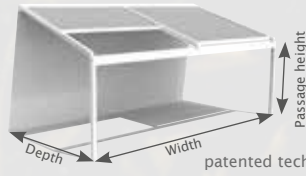
Algarve® Roof



patented technology

Rotating aluminium blades

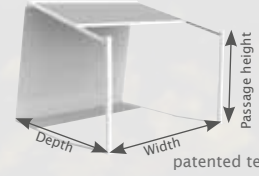
Lagune®



patented technology

Retractable waterproof, translucent sun protection screen

Lapure®



patented technology

Retractable waterproof, translucent sun protection screen

6050	6000	4,000
4500	6000	5,000
not applicable	2500	2,900
not extendible	extendible to max. width of 12 m	Joinable to max. width of 8 m
no angle (0°)	8°	10°
standard	standard (Incl. PVC drainage pipes in column)	Standard (depending on the type)
not applicable	standard	Not applicable
not applicable	standard	Standard
option	not applicable	Not applicable
standard	not applicable	Standard
not applicable	standard	Option at no extra cost
not applicable	option	Not applicable
option	not applicable	Not applicable
not applicable	option	Not applicable
not applicable	option	Not applicable
not applicable	option	Not applicable
not applicable	option	Not applicable
not applicable	option	Not applicable
option	not applicable	Not applicable
option	option	Not applicable
option	option	Not applicable





Creating healthy spaces

RENSON®: your partner in ventilation and sun protection

RENSON®, headquartered in Waregem (Belgium), is a trendsetter in Europe in natural ventilation and sun protection.

- **Creating healthy spaces**

From 1909, we've been developing energy efficient solutions assuring a healthy and comfortable indoor climate.

Our remarkable headquarters - built according to the 'Healthy Building Concept' - is a beautiful example portraying our corporate mission.

- **No speed limit on innovation**

A multidisciplinary team of more than 70 R&D employees continually optimize our products and develop new and innovative concepts.

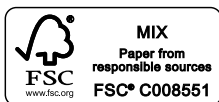
- **Strong in communication**

Contact with the customer is of the utmost importance. A group of 70 in-the-field employees worldwide and a powerful international distribution network are ready to advise you on site. EXIT 5 at Waregem gives you the possibility to experience our products on your own and provides necessary training for installers.

- **A reliable partner in business**

We can guarantee our customers optimal quality and service thanks to our environmentally friendly and modern production sites (with automated powder coating line, anodisation line, plastic injection moulding and mold making shop) covering an area of 95.000 m².

Dealer



RENSON® reserves the right to make technical changes to the products shown.
The latest brochures may be downloaded from www.renson.eu

RENSON® Export Department • Tel. +32 (0)56 62 71 11 • export@renson.net

RENSON® Sunprotection-Screens NV
IZ 1 Flanders Field • Kalkhoevestraat 45 • B-8790 Waregem
Tel. +32 (0)56 62 65 00 • Fax +32 (0)56 62 65 09
export@renson.net • www.renson.eu

RENSON® Fabrications LTD
Fairfax Units 1-5 • Bircholt Road • Parkwood Industrial Estate • Maidstone • Kent ME15 9SF
Tel. 01622/754123 • Fax 01622/689478
info@rensonuk.net • www.renson.eu



Creating healthy spaces

VENTILATION

SUNPROTECTION

OUTDOOR